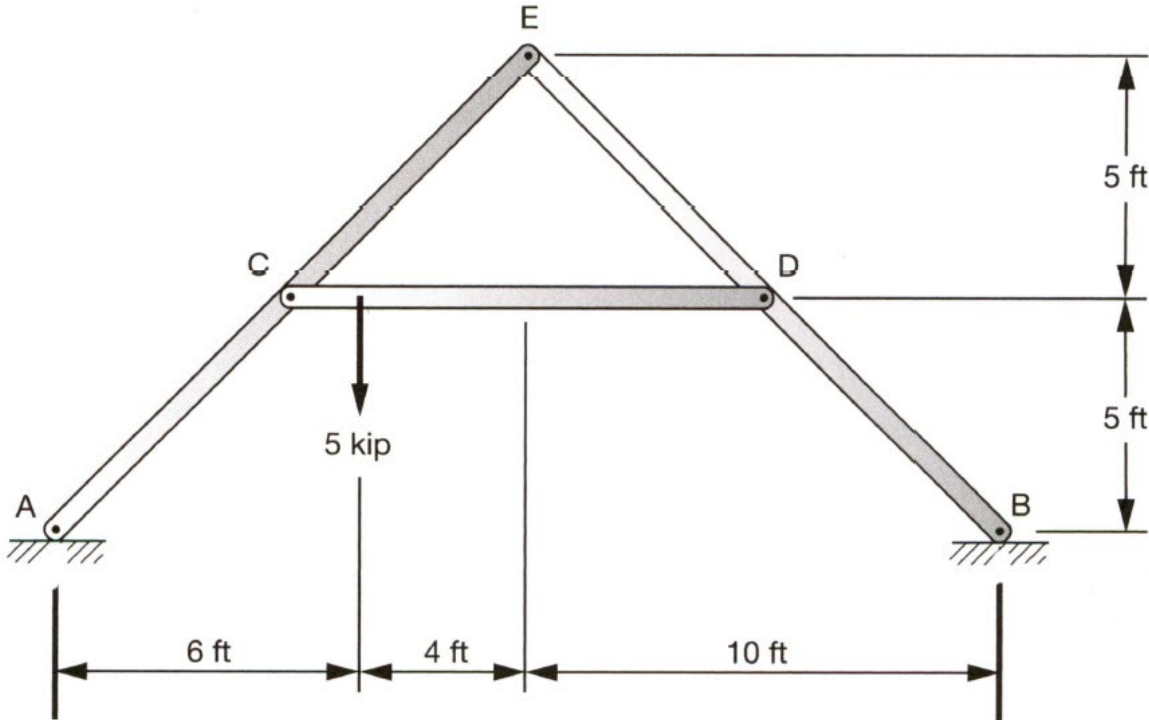
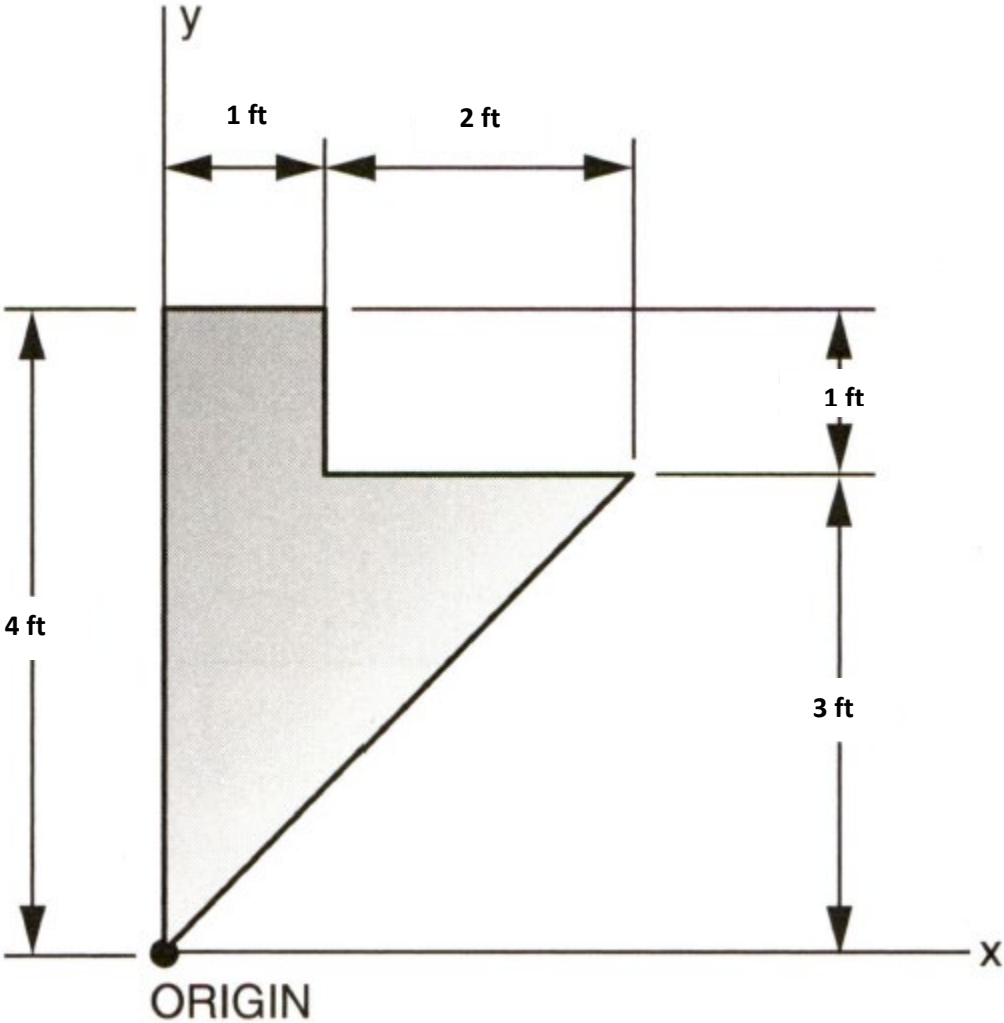


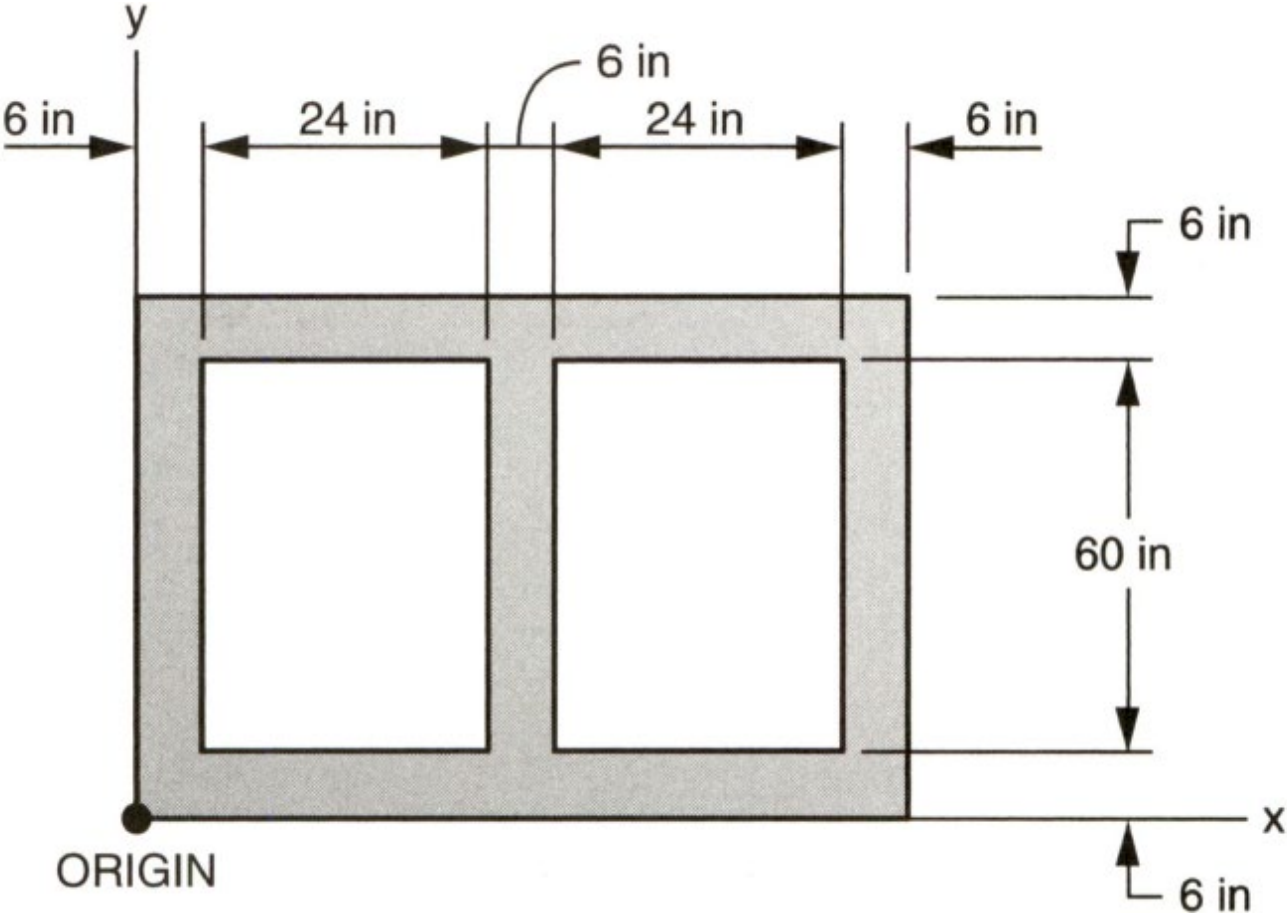
Determine the pin reactions for the frame shown. The frame is on a rough surface.



Find the centroid of the shape with respect to the point of origin shown.



Find the centroid of the shape with respect to the point of origin shown.



A folding chair diagram is shown in the following. Determine the pin reactions at each joint, neglecting selfweight of all components. *A* and *B* are both to be considered as smooth surfaces.

